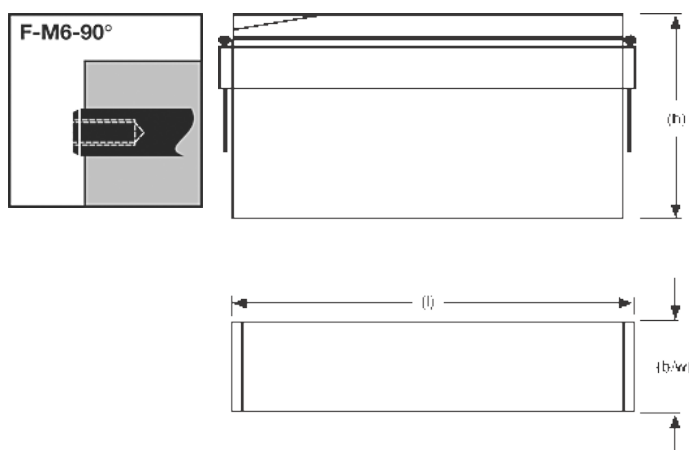


# Marathon – M12V155FT data sheet



## Terminal: Drawing:



## Specifications:

Part numbers not valid for North America, use type for ordering!

Discharge figures are also valid for **UL 94 V0** version. Change "H" to "V" in the part number.

*Example*

|          |            |          |      |
|----------|------------|----------|------|
| Standard | NAMF120155 | <b>H</b> | MOFA |
| UL 94 V0 | NAMF120155 | <b>V</b> | MOFA |

[Switch to: Discharge at 25 °C/inches/lb](#)

| Exide type designation | Nom. Voltage V | Nom. capacity C <sub>10</sub><br>1.80 Vpc 20°<br>C<br>Ah | Nom. capacity C <sub>8</sub><br>1.75 Vpc 25°<br>C<br>Ah | Nom. capacity C <sub>1</sub><br>1.60 Vpc 20°<br>C<br>Ah | Length (l) max. mm | Width (b/w) max. mm | Height (h1) max. mm | Weight approx. kg | Internal resistance mOhm | Terminal |
|------------------------|----------------|--|---|---|--------------------|---------------------|---------------------|-------------------|--------------------------|----------|
| M12V155FT              | 12             | 150  | 155   | 105   | 559                | 124                 | 283                 | 53.8              | 4.1                      | F-M6-90° |

## Constant-current discharge in A @ 20 °C

| Part number     | Vpc  | 15 min | 30 min | 1 h  | 1,5 h | 2 h  | 3 h  | 4 h  | 5 h  | 6 h  | 8 h  | 10 h | 20 h | 24 h |
|-----------------|------|--------|--------|------|-------|------|------|------|------|------|------|------|------|------|
| NAMF120155HM0FA | 1.94 | 122    | 95.1   | 74.0 | 56.2  | 46.3 | 33.5 | 26.3 | 21.8 | 18.7 | 14.4 | 11.7 | 6.30 | 5.28 |
| NAMF120155HM0FA | 1.92 | 149    | 108    | 78.8 | 59.7  | 49.0 | 35.1 | 27.6 | 23.0 | 19.8 | 15.3 | 12.5 | 6.60 | 5.60 |
| NAMF120155HM0FA | 1.90 | 177    | 122    | 83.9 | 63.4  | 51.9 | 37.0 | 29.1 | 24.1 | 20.7 | 16.3 | 13.3 | 7.00 | 5.91 |
| NAMF120155HM0FA | 1.87 | 196    | 136    | 89.5 | 67.2  | 54.8 | 39.0 | 30.6 | 25.3 | 21.7 | 17.1 | 13.9 | 7.30 | 6.18 |
| NAMF120155HM0FA | 1.85 | 220    | 150    | 92.8 | 69.6  | 56.8 | 40.3 | 31.6 | 26.1 | 22.4 | 17.6 | 14.3 | 7.60 | 6.35 |
| NAMF120155HM0FA | 1.83 | 233    | 157    | 95.8 | 71.5  | 58.1 | 41.2 | 32.3 | 26.7 | 22.9 | 17.9 | 14.5 | 7.70 | 6.50 |
| NAMF120155HM0FA | 1.80 | 254    | 167    | 99.8 | 73.8  | 59.6 | 42.2 | 33.1 | 27.4 | 23.4 | 18.4 | 14.9 | 7.90 | 6.64 |
| NAMF120155HM0FA | 1.78 | 265    | 172    | 101  | 74.9  | 60.3 | 42.8 | 33.5 | 27.7 | 23.8 | 18.6 | 15.1 | 7.90 | 6.72 |
| NAMF120155HM0FA | 1.75 | 274    | 174    | 103  | 75.7  | 60.8 | 43.2 | 33.8 | 28.0 | 24.0 | 18.9 | 15.3 | 8.00 | 6.79 |
| NAMF120155HM0FA | 1.73 | 287    | 177    | 104  | 76.2  | 61.2 | 43.5 | 34.1 | 28.2 | 24.1 | 18.9 | 15.4 | 8.00 | 6.81 |
| NAMF120155HM0FA | 1.70 | 300    | 179    | 105  | 76.9  | 61.7 | 43.8 | 34.3 | 28.4 | 24.3 | 19.0 | 15.4 | 8.00 | 6.83 |
| NAMF120155HM0FA | 1.67 | 307    | 180    | 106  | 77.6  | 62.2 | 44.2 | 34.5 | 28.5 | 24.4 | 19.1 | 15.5 | 8.00 | 6.86 |
| NAMF120155HM0FA | 1.65 | 312    | 182    | 106  | 78.0  | 62.5 | 44.4 | 34.7 | 28.6 | 24.5 | 19.2 | 15.6 | 8.20 | 6.88 |

## Constant-power discharge in W/block @ 20 °C

| Part number     | Vpc  | 15 min | 30 min | 1 h | 1,5 h | 2 h | 3 h | 4 h | 5 h | 8 h | 10 h | 24 h |
|-----------------|------|--------|--------|-----|-------|-----|-----|-----|-----|-----|------|------|
| NAMF120155HM0FA | 1.94 | 1337   | 1309   | 862 | 649   | 530 | 385 | 306 | 257 | 174 | 142  | 64.6 |

|                 |      |      |      |      |     |     |     |     |     |     |     |      |
|-----------------|------|------|------|------|-----|-----|-----|-----|-----|-----|-----|------|
| NAMF120155HM0FA | 1.92 | 1626 | 1407 | 916  | 684 | 556 | 403 | 321 | 269 | 184 | 150 | 67.9 |
| NAMF120155HM0FA | 1.90 | 1916 | 1517 | 975  | 718 | 579 | 419 | 335 | 282 | 195 | 159 | 71.2 |
| NAMF120155HM0FA | 1.87 | 2350 | 1634 | 1042 | 758 | 605 | 440 | 351 | 295 | 203 | 165 | 74.1 |
| NAMF120155HM0FA | 1.85 | 2466 | 1717 | 1083 | 786 | 626 | 454 | 362 | 303 | 209 | 170 | 75.9 |
| NAMF120155HM0FA | 1.83 | 2588 | 1776 | 1112 | 805 | 641 | 464 | 369 | 309 | 213 | 173 | 77.3 |
| NAMF120155HM0FA | 1.80 | 2772 | 1853 | 1148 | 829 | 658 | 475 | 377 | 316 | 217 | 177 | 78.8 |
| NAMF120155HM0FA | 1.78 | 2874 | 1892 | 1166 | 841 | 668 | 482 | 382 | 320 | 220 | 179 | 79.6 |
| NAMF120155HM0FA | 1.75 | 3014 | 1910 | 1171 | 847 | 673 | 484 | 386 | 322 | 220 | 180 | 80.3 |
| NAMF120155HM0FA | 1.73 | 3062 | 1928 | 1177 | 853 | 679 | 488 | 388 | 324 | 221 | 180 | 80.7 |
| NAMF120155HM0FA | 1.70 | 3137 | 1945 | 1183 | 857 | 682 | 491 | 390 | 326 | 222 | 180 | 80.9 |
| NAMF120155HM0FA | 1.67 | 3218 | 1961 | 1189 | 862 | 686 | 494 | 392 | 327 | 222 | 181 | 81.2 |
| NAMF120155HM0FA | 1.65 | 3267 | 1977 | 1196 | 865 | 688 | 496 | 393 | 328 | 223 | 182 | 81.3 |